



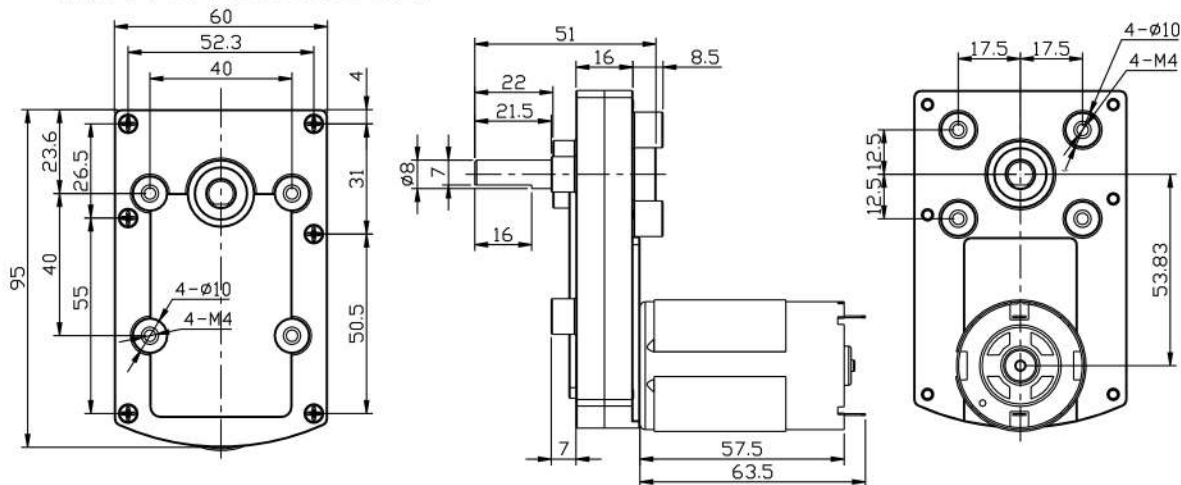
电压/Main voltage: 3VDC、6VDC、9VDC、12VDC、24VDC

用途/Typical applications: 焊接机、垃圾处理器、咖啡机、印刷机、稳压机、碎纸机、输卡机、中央空调阀门、办公设备、家用设备、执行器
Central ari-conditioning valve, Amusement equipment, Coinrefund devices, Grill, Oven, Peristaltic pumps, ATM bank automatic system, Robot, Medical equipment, Office equeipment, Household appliances, Automatic actuator.

重量/Weight: 500~550g/pcs(approx)

包装外形尺寸/Packing details: CTN size: 55X35XH18cm 24pcs/CTN G.W.15kgs

外形尺寸 APPEARANCE SIZE



齿轮箱数据 Gearbox data

减速箱级数 Number of stages	3 减速比 Stages reduction	4 减速比 Stages reduction	5 减速比 Stages reduction
减速比 Reduction ratio	36、66、 94	149、196、211、277、394	624、830、1166
最大运转力矩 Max. Running torque	5kgf.cm	20kgf.cm	50kgf.cm
最大破坏力矩 Max. Gear breking torque	30kgf.cm	60kgf.cm	150kgf.cm
最高齿轮效率 Max. Gearing efficiency	73%	65%	59%

其它减速比请致电或邮件给我司技术部 Other reduction ratio please telephone or e-mail to our engineering department.

马达参数 Motor data

马达型号 Motor Model	电 压 Rated Volt. V	空 载 No load		负 载 Load torque				堵 转 Stall torque	
		电 流 Current	转 速 Speed	电 流 Current	转 速 Speed	扭 矩 Torque	输出功率 Output power	扭 矩 Torque	电 流 Current
		mA	r/min	mA	r/min	gf.cm	W	gf.cm	MA
TT-555123000	12	≤140	3000	≤800	2200	150	3.3	600	3000
TT-555124500	12	≤220	4500	≤1200	3300	220	7.2	880	4800
TT-555126000	12	≤350	6000	≤2000	4500	300	13.5	1200	6000
TT-555243000	24	≤70	3000	≤400	2200	150	3.3	600	1600
TT-555244500	24	≤110	4500	≤600	3300	220	7.2	880	3000
TT-555246000	24	≤180	6000	≤1000	4500	300	13.5	1200	4000

• 这张表格只列出部分电机参数，想了解更多具体参数请参照95页。

• This table lists some motors parameters, otheers please refer to specific parameters of Page 95 .

• 马达和齿轮箱装配成减速电机后输出扭矩 = 马达扭矩x减速比x齿轮效率;输出转速 = 马达转速 / 减速比 .

• After connecting motor and gearbox which is named gearmotor the output torque: motor torque x reduction ratio x gearing efficiency; output speed: motor speed/reduction ratio .